



Bobcat®

TELESCOPIC HANDLERS

T40140 T40180 STAGE IIIA





Full flexibility

A complete set of attachments provides full flexibility and job compatibility.

Maximum uptime

Side-mounted engine and easy-to-access maintenance points for fast service and maintenance.

Optimum Safety

Unique integrated frame-levelling and side-shift system for use on both tyres and stabilizers.

HIGHER – STRONGER – BETTER...

The new 14m and 18m Bobcat® telescopic handlers provide you with what matters most – ease-of-use, safety and performance. Simplicity in design make these telescopic handlers easy to use. State-of-the-art safety systems and class-leading performance give you 100% confidence in the machine. The T40140 and T40180 work with the best possible efficiency and productivity, with a constant focus on safe operation.



Higher reach

Minimal loss of lift height between operating on tyres and on stabilizers.

Ergonomic comfort

Logically designed and positioned controls provide greater comfort, control and productivity.

Compact stability

Compact stabilizers ensure full capabilities can be used in even the most confined areas.

Total visibility

Rounded cab design features large front and rear windows to maximise all-round visibility.

SIMPLICITY

An easy-to-use machine means better performance, higher productivity and, ultimately, safer operation. The T40140 and T40180 are models of simplicity, with a wide range of features.

Ergonomics

The ergonomic controls are within arm's reach, providing an extra level of safety and operational control.

- FNR control button on the joystick
- Electronic dashboard
- Adjustable steering wheel
- Integrated airflow solution



FNR on Joystick puts maximum control at your fingertips. Select the driving direction at the touch of a button, while still keeping a grip on both the steering wheel and the joystick for improved safety and productivity.

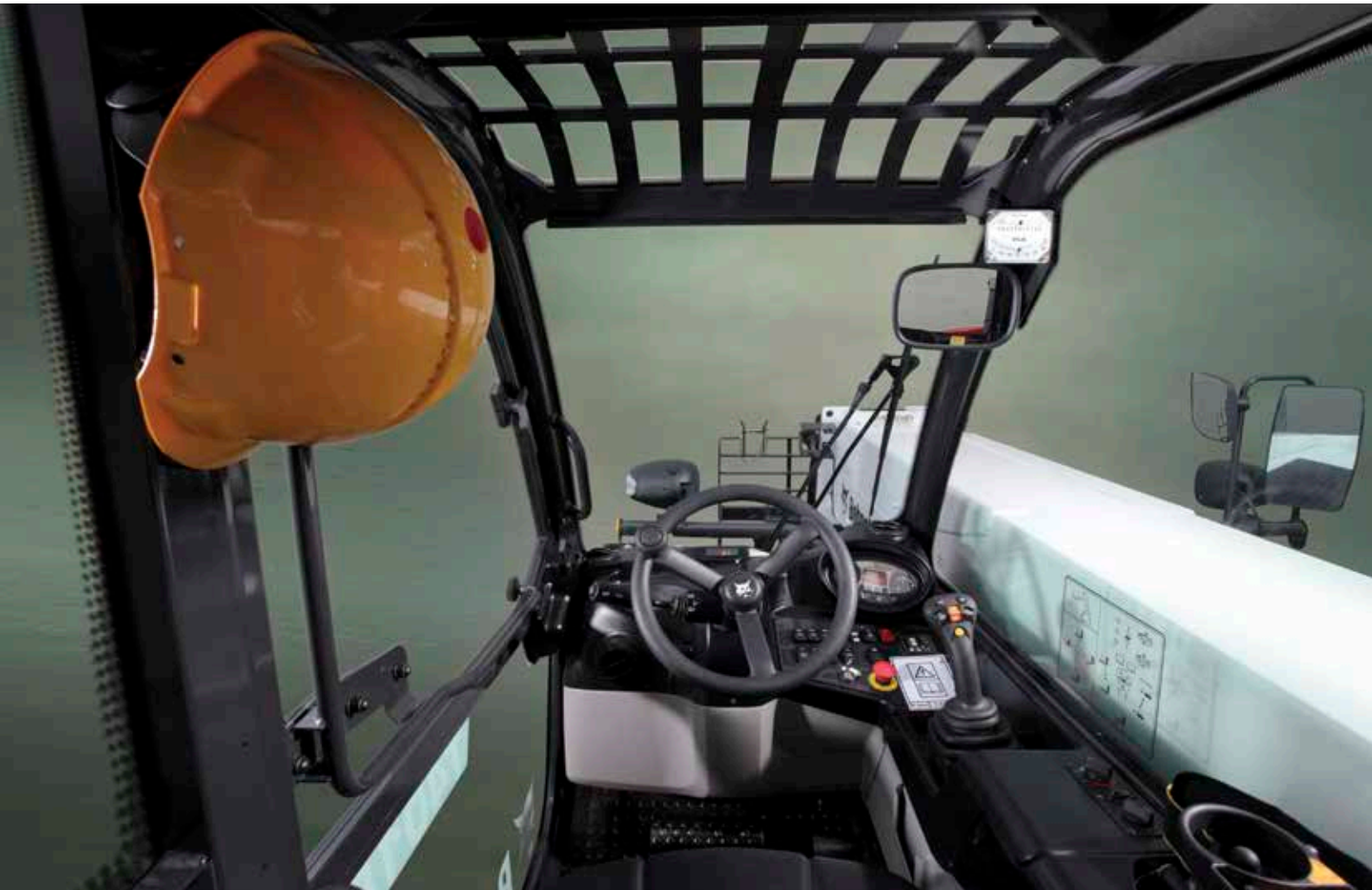
Information at your fingertips

- Continuous frame-levelling angle on LCD display - when levelling function is activated, the LCD screen automatically shows the angle to keep you fully aware of machine parameters.
- Boom angle value available on the LCD screen promotes precision movements and faster work-cycles for repetitive tasks.
- Semi-automatic wheel alignment helps make sure the wheels are always aligned when you change between the 3 steering modes.
- Aux flow control is easily and precisely controlled from the joystick.
- Stabilizer detection on ground - sensor continuously monitors the pressure to prevent drops/leaks and ensure safe stab usage at all times.



Spacious environment

The new cab is designed with the operator in mind. Providing an exceptional level of comfort to keep you more alert and improve the safety of the work site.



Total visibility

The rounded cab design features a large front window to maximise visibility of the attachment – at any height or reach. Large rear window ensures maximum rear visibility, increasing your spatial awareness and the accuracy of rear movements. The design of the protective roof grid provides maximum protection while ensuring that the attachment is visible at full height.



CONFIDENCE... IN YOUR BOBCAT TELEHANDLER

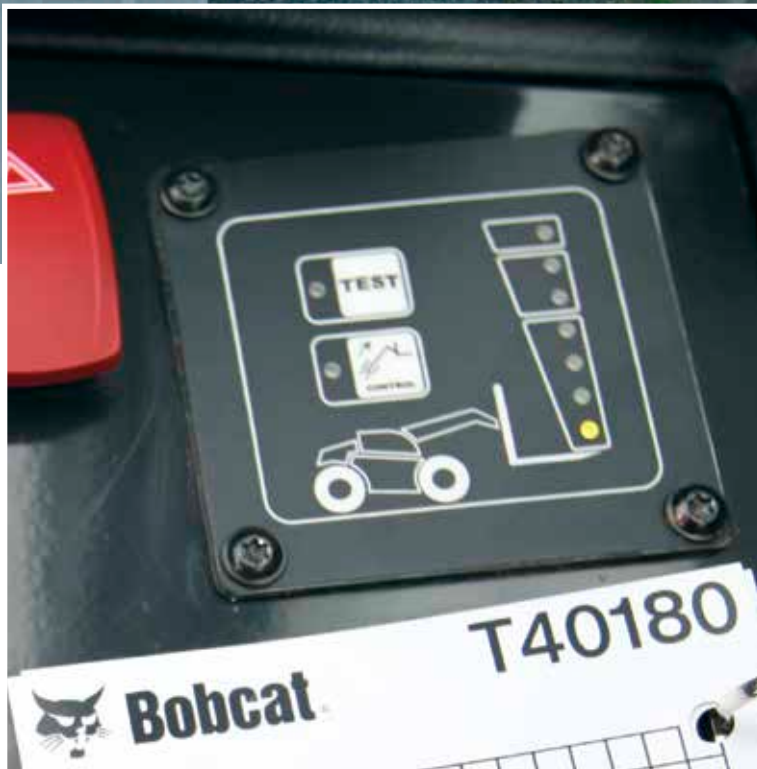
Attention to details ... improving Quality, Reliability & Durability

The new T40140 and T40180 models provide a new level of confidence...in the machine's performance and safety, and in its robustness. This is achieved by applying the rigorous Bobcat® development standards across all functions on the new models.



- New generation cooling package ensures smooth and stable control of the hydraulic oil temperature and hydraulic hose life optimisation.
- Complete protection of the tilt cylinder within the boom head ensures minimum risk of damage and increased operator safety.
- Integrated boom head design provides reinforcement to handle heavy lifting while also providing added peace-of-mind when operating from a man platform.
- New generation wear pads, larger bolts, larger steel inserts to benefit from increased friction coefficient.
- Safe and smooth management of over-speed to ensure maximum durability and uptime.





Safety

The load management system on the new T40140 and T40180 ensures safe operation at all times – regardless of the load. The display – positioned for maximum visibility – provides continuous clear information on load management.

PERFORMANCE...

HOW TO MAKE THE GOOD EVEN BETTER!

Compactness = access

Easy-to-use compact stabilizers ensure that the T40180's full capabilities can be used in the most confined working areas.

3 steering modes provide a solution for any movement.

You can easily manoeuvre into hard-to-reach areas with the short turning radius.



Side Shift

Unique integrated frame-levelling and side-shift system works independent of the main frame to provide $\pm 4^\circ$ bank-angle on tyres and up to $\pm 12^\circ$ angle on stabilizers. The system ensures maximum flexibility and up to ± 700 mm side shift at full extension.





Reaching higher than ever - both on tires and on stabilizers. We believe a high-reach machine should not have limitations! The T40180 provides top-class stability, ensuring minimal loss of lift height and capacity when operating on tires

With a top speed of 30 km/h, the new models can quickly move between locations, reducing travel times.

ENGINE

Maintenance

Improved serviceability: active monitoring of machine systems, with real-time information provided for diagnostics.

- Battery located in engine basket for easy access. Electric switch ensures that the battery is not accidentally left connected overnight



T40140 T40180 — SPECIFICATIONS

		T40140	T40180
PERFORMANCE			
Maximum Lift Capacity	kg	4100	4000
Maximum Lift Height (on tyres / on stabilizers)	mm	13300 / 13600	16200 / 17500
Maximum Forward Reach (on tyres / on stabilizers)	mm	9800 / 9800	12800 / 13700
Lift Capacity at Full Height (on tyres / on stabilizers)	kg	2500 / 4000	1000 / 2500
Lift Capacity at Full Reach (on tyres / on stabilizers)	kg	500 / 1300	0 / 560
Tilt Crowding Force	daN		12300

WEIGHTS			
Weight (unladen)	kg	10290	10790

ENGINE			
		Stage IIIA	
Make / Model		PERKINS / 1104D-44TA	
Fuel / Cooling		DIESEL / Water	
Rated Power (ISO 14396) at 2300 RPM	kW (HP)	74.5 (100)	
Maximum Torque at 1600 RPM	Nm	410	
Number of Cylinders		4	
Displacement	l	4.4	

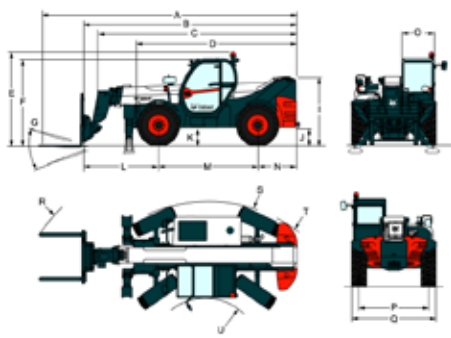
TRACTION			
Standard Tyres		Basic Option Tyres 400/80-24"	
Low Speed (forward / reverse)	km/h	8.5	
High Speed (forward / reverse)	km/h	30	
Driving Modes		2WS / 4WS / CRAB	

DRIVE SYSTEM			
Transmission		Hydrostatic with electronic regulation	
Main Drive		Hydrostatic motor	

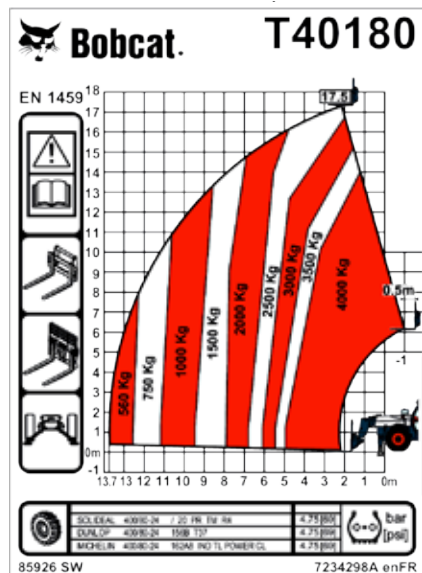
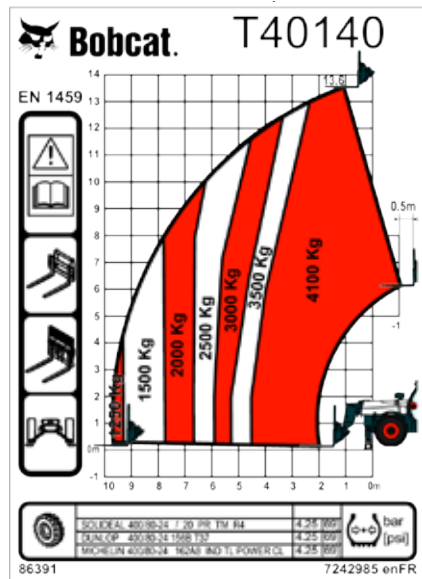
HYDRAULIC SYSTEM			
Pump Type		Gear pump with LS valve	
Combined Pump Capacity	l/min	100	
Working Pressure	bar	255	

BRAKES			
Service Brake		Oil immersed discs	
Parking and Emergency Brake		Negative brake with hydraulic command	

DIMENSIONS



(A) 7313.0 mm	(A) 7425.0 mm
(B) 6052.0 mm	(B) 6164.0 mm
(E) 2670.0 mm	(E) 2670.0 mm
(F) 2476.0 mm	(F) 2476.0 mm
(G) 124°	(G) 124°
(J) 500.0 mm	(J) 500.0 mm
(M) 2850.0 mm	(M) 2850.0 mm
(O) 930.0 mm	(O) 930.0 mm
(P) 1992.0 mm	(P) 1992.0 mm
(Q) 2394.0 mm	(Q) 2394.0 mm
(R) 5720.0 mm	(R) 5822.0 mm
(S) 3782.0 mm	(S) 3782.0 mm
(U) 1761.0 mm	(U) 1761.0 mm



T40140 T40180 — SPECIFICATIONS

OPTIONS	T40140	T40180
Air conditioning	x	x
Air suspension seat	x	x
Auxiliary line on boom with ACD and electric connectors	x	x
Back-Up alarm	x	x
Basic tow hitch	x	x
Boom light	x	x
Boom stop	x	x
Carriage with hydraulic attachment lock	x	x
Cold start	x	x
Cyclonic air prefilter	x	x
Document holder (PVC)	x	x
Drawbar coupler tow hitch	x	x
Fan inverter	x	x
Fire extinguisher	x	x
Forward/Reverse control on steering wheel lever	x	x
Lockable fuel cap	x	x
Manplatform Installation	x	x
Michelin tyres - set of 4 x 400/80-24"	x	x
Multifunctional remote control	x	x
Custom colour	x	x
Pintle tow hitch	x	x
Protective grill for windshield	x	x
Protective zinc coat	x	x
Radio ready	x	x
Rear electric auxiliary	x	x
Rear flat mirror	x	x
Roof window wiper	x	x
Rotating beacon	x	x
Sun visor	x	x
Support for vehicle registration plate	x	x
Wheel wedge	x	x
Winch Installation	x	x

ATTACHMENTS	T40140	T40180
Digging Bucket w/o teeth	x	x
Digging Bucket w/ teeth	x	x
Concrete Bucket, hydraulic	x	x
Concrete Bucket, mechanic	x	x
Rigid Pallet Forks Frame	x	x
Rigid Pallet Forks Frame w/Backrest	x	x
Floating Pallet Forks, 1,12m wide	x	x
Floating Pallet Forks, 1,44m wide	x	x
Jib 4.1t, 0.7m	x	x
Jib 0.7t, 3.7m	x	x
Winch 4.1t	x	x
Winch w/ Jib 600 kg	x	x
Winch w/ Jib 1000 kg	x	x
Man Platform, extendable, rotatable, 4m	x	x
Man Platform, fixed, 1m	x	x

Specifications and design are subject to change without notice. Pictures of Bobcat products may show other than standard equipment.



www.bobcat.eu

DI CE - Drève Richelle 167 - B-1410 Waterloo, Belgium