

**Performance**

Lifting height — on tyres	10290.0 mm
Rated capacity	3500 kg
Capacity (at max. height on tyres)	400 kg
Capacity (at max. reach on tyres)	600 kg
Max. reach on tyres	6886.0 mm

**Weights**

Weight (unladen)	7340 kg
------------------	---------

**Traction**

Standard tyres	SOLIDEAL 405/70-20 14PR
1st gear / low range	7.0 km/h
1st gear / high range	26.0 km/h

**Drive System**

Transmission	Hydrostatic with electronic regulation
Main drive	Hydrostatic motor

**Engine**

Make / Model	Perkins / 1104D-44TA
Fuel	Diesel
Cooling	Water
Rated power (ISO 14396)	100.0 HP
Rated power (ISO 14396)	74.5 kW
Maximum torque at 1400 RPM	410.0 Nm
Number of cylinders	4
Displacement	4.40 L

**Hydraulic System**

Pump type	Gear pump with LS valve
Pump capacity	100.00 L/min
Relief valve pressure setting	250.00 bar

**Cycle Times**

Lift time - no load	11.0 s
Lower time - no load	6.0 s
Telescope in time at max. reach - no load	7.0 s
Telescope in time at max. height - no load	7.0 s
Telescope out time at max. reach - no load	11.5 s
Telescope out time at max. height - no load	115.0 s

**Brakes**

Engine braking	Hydrostatic
Parking and emergency brake	Passive brake

**Fluid Capacities**

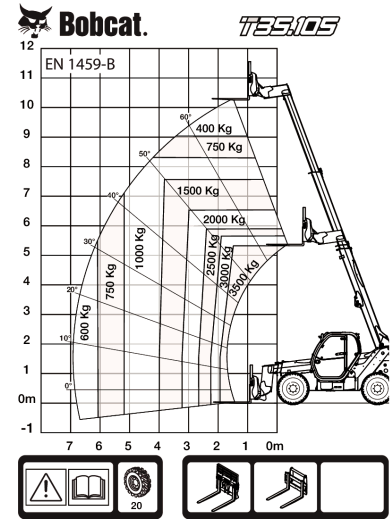
Fuel tank	130.00 L
Hydraulic reservoir	71.00 L

**Environmental**

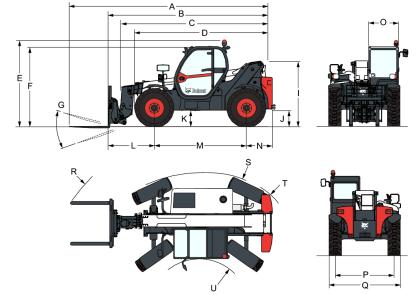
Sound pressure level at the operator station EN 12053 - 30kmh (LpA)	76 dB(A)
Level of acoustic power (LWA)	106 dB(A)
Whole body vibration (EN 13059)	0.90 ms <sup>-2</sup>

**Load Charts**

With forks and standard 405/70x20 tyres


**Options**

Air conditioning	Boom wiring harness and electric connectors
Boom stop	Keyless ignition (start/stop with keypad)
Custom colour	Standard engine ignition (with key) with additional keypad security
Fire extinguisher	High comfort air suspension seat
Forward/Reverse control on Steering Wheel Lever (no longer on joystick)	Rotating tow hitch (including rear electric socket)
Lockable fuel cap	Basic option tyres - set of 4 x 400/80-24"
Loudspeaker & radio ready	Basic tow hitch
PVC Document holder	Michelin tyres - set of 4 x 400/80-24" 162A8 IND TL
Pintle tow hitch (including rear electric socket)	POWER CL
Protective grill for windshield (front and roof)	Pallet forks 1200mm length / Floating / 1,44m carriage / Forks included / Backrest included / For Quicktach tool carrier
Rear Flat Mirror	Pallet forks 1200mm length / Rigid frame / Forks included / Backrest included / For Quicktach tool carrier
Roof window wiper	Dunlop tyres - set of 4 x 405/70-20" SPT9 MPT (SEMI INDUSTRIAL)
Sun visor	Dunlop tyres - set of 4 x 405/70-24" SPT9 MPT (SEMI INDUSTRIAL)
Support for vehicle registration plate	Fan inverter with manual and auto modes
Wheel wedge	Quicktach carriage with hydraulic attachment lock (boom wiring harness mandatory)
Work lights on boom	Cold start
Remote control system with on-board charger	Cyclonic air prefilter

**Dimensions**


(-)	857.0 mm	(L)	1422.0 mm
(A)	6276.0 mm	(M)	2850.0 mm
(B)	5071.0 mm	(N)	799.0 mm
(C)	4936.0 mm	(O)	930.0 mm
(D)	4192.0 mm	(P)	1862.0 mm
(E)	2584.0 mm	(Q)	2264.0 mm
(F)	2445.0 mm	(R)	5025.0 mm
(G)	143.0°	(R)	5116.0 mm
(I)	1941.0 mm	(S)	3765.0 mm
(J)	415.0 mm	(U)	1245.0 mm