

Performance

Lifting height — on tyres	6889.0 mm
Rated capacity	3500 kg
Capacity (at max. height on tyres)	3500 kg
Capacity (at max. reach on tyres)	1500 kg
Max. reach on tyres	4002.0 mm

Weights

Weight (unladen)	7330 kg
------------------	---------

Traction

Standard tyres	SOLIDEAL 405/70-20 14PR
1st gear / low range (40 km/h option)	6 (6) km/h
1st gear / high range (40 km/h option)	11 (12) km/h
2nd gear / low range (40 km/h option)	16 (18) km/h
2nd gear / high range (40 km/h option)	30 (40) km/h

Drive System

Transmission	Hydrostatic with electronic regulation
Main drive	Hydrostatic motor + 2 speed gearbox

Engine

Make / Model	Bobcat D34
Fuel	Diesel
Cooling	Coolant
Rated power (ISO 14396:2002) at 2400 RPM	100.0 HP
Rated power (ISO 14396:2002) at 2400 RPM	74.5 kW
Maximum torque at 1400 RPM	430.0 Nm
Number of cylinders	4
Displacement	3.40 L

Hydraulic System

Pump type	Gear pump with LS valve
Pump capacity	100.00 L/min
Relief valve pressure setting	250.00 bar

Cycle Times

Lift time - no load	8.0 s
Lower time - no load	6.0 s
Telescope in time at max. reach - no load	6.5 s
Telescope in time at max. height - no load	6.5 s
Telescope out time at max. reach - no load	7.1 s
Telescope out time at max. height - no load	7.1 s

Brakes

Engine braking	Hydrostatic
Parking and emergency brake	Passive brake

Fluid Capacities

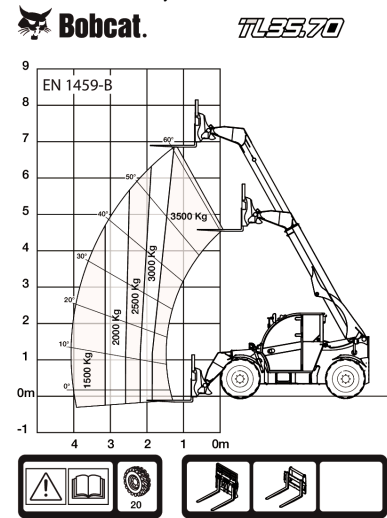
Fuel tank	138.00 L
Hydraulic reservoir	59.00 L

Environmental

Operator noise level (LpA) (EN 12053)	74 dB(A)
Level of acoustic power (LWA)	106 dB(A)
Whole body vibration (EN 13059)	1.20 ms ⁻²

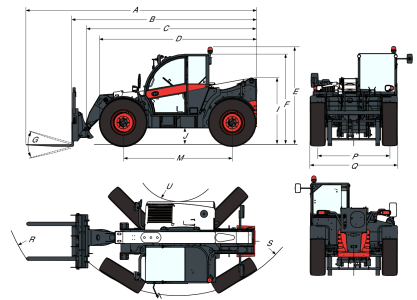
Load Charts

With forks on 20 inch tyres


Options

Air conditioning	Manitou carriage with manual attachment lock
Boom stop	Basic option tyres - set of 4 x 400/80-24"
Custom colour	Blue lights for henhouses
Fire extinguisher	Boom suspension
Forward/Reverse control on Steering Wheel Lever (no longer on joystick)	Dunlop tyres - set of 4 x 405/70-20" SPT9 MPT (SEMI INDUSTRIAL)
Lockable fuel cap	Dunlop tyres - set of 4 x 405/70-24" SPT9 MPT (SEMI INDUSTRIAL)
Loudspeaker & radio ready	Forward/Reverse control on joystick and steering wheel
PVC Document holder	Front tow hitch
Pintle tow hitch (including rear electric socket)	Fan inverter with manual & auto modes
Protective grill for windshield (front and roof)	Rear auxiliary line
Rear Flat Mirror	Rotating tow hitch with height adjustment (auto-lock/German style) (including rear electric socket)
Roof window wiper	Rotating tow hitch with height adjustment (manual locking) (including rear electric socket)
Sun visor	Trailer brake valve (not available for Germany & Italy)
Support for vehicle registration plate	Transmission 40km/h (max speed with 24" tyres)
Wheel wedge	Michelin tyres - set of 4 x 460/70R24" XMCL (AGRICULTURAL)
Work lights on boom	Michelin tyres - set of 4 x 500/70R24" XMCL (AGRICULTURAL) (Except overseas countries - Container shipping)
Basic tow hitch	Nokian recycling tyres - set of 4 x 480/65R24" TRI STEEL (RECYCLING)
High comfort air suspension seat	Arm rest
Keyless ignition (start/stop with keypad)	Boom wiring harness and electric connectors
Michelin tyres - set of 4 x 400/80-24" 162A8 IND TL POWER CL	Tool box
Quicktach carriage with hydraulic attachment lock (boom wiring harness mandatory)	Hydraulic pick-up tow hitch (including rear electric socket) (rear flat mirror mandatory)
Rotating tow hitch (including rear electric socket)	
Standard engine ignition (with key) with additional keypad security	
Manitou carriage with hydraulic attachment lock (boom wiring harness mandatory)	

Tractor homologation
 (mandatory options: rear tow
 hitch + rear electric socket,
 front tow hitch, support for
 vehicle registration plate)
 Alliance tyres - set
 of 4 x 460/70R24"
 (AGRICULTURAL) (Except
 overseas countries by
 container shipping)

Dimensions


(-)	900.0 mm	(L)	1356.0 mm
(A)	6074.0 mm	(M)	2870.0 mm
(B)	4869.0 mm	(N)	643.0 mm
(C)	4763.0 mm	(O)	1013.0 mm
(D)	4058.0 mm	(P)	1895.0 mm
(E)	2477.0 mm	(Q)	2300.0 mm
(F)	2340.0 mm	(R)	4925.0 mm
(G)	135.0°	(S)	5015.0 mm
(I)	1668.0 mm	(S)	3714.0 mm
(J)	346.0 mm	(U)	1092.0 mm